



Installation Instructions

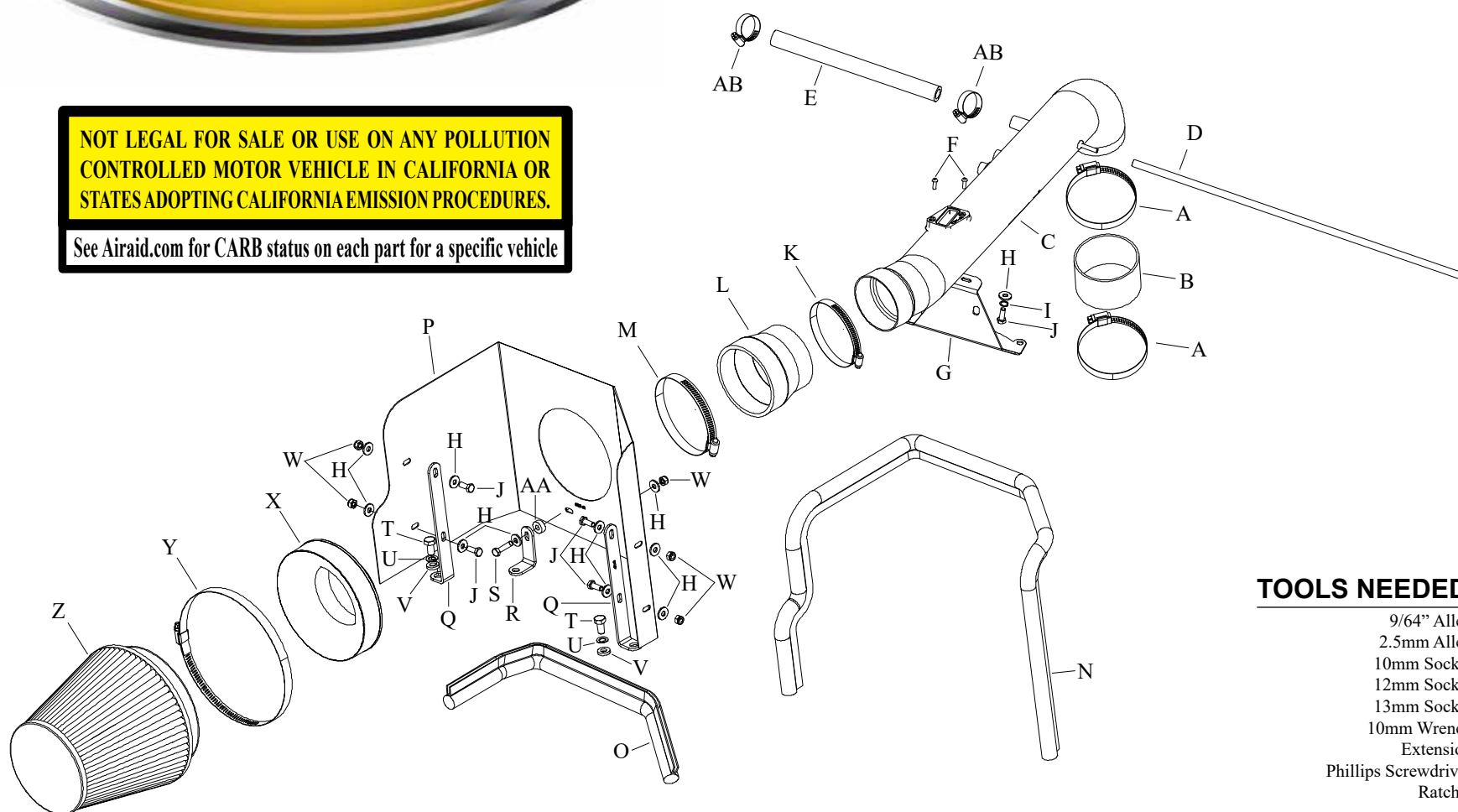
For Part Numbers:

512-389 702-466 SynthaMax Dry Media Filter - Black

2005-18 TOYOTA Tacoma

L4-2.7L

NOT LEGAL FOR SALE OR USE ON ANY POLLUTION CONTROLLED MOTOR VEHICLE IN CALIFORNIA OR STATES ADOPTING CALIFORNIA EMISSION PROCEDURES.
See Airaid.com for CARB status on each part for a specific vehicle



TOOLS NEEDED:

- 9/64" Allen
- 2.5mm Allen
- 10mm Socket
- 12mm Socket
- 13mm Socket
- 10mm Wrench
- Extension
- Phillips Screwdriver
- Ratchet

Component Identification

Description	Qty.	Part #	Description	Qty.	Part #	Description	Qty.	Part #
A HOSE CLAMP #44	2	08560	K HOSE CLAMP #48	1	08601	T BOLT; 8MM-1.25 X 16MM	2	07844
B HOSE; 2.75"ID X 2"L, BLACK	1	08440	L REDUCER; 3.5"ID X 3"ID X 2.5"L	1	KITRDCR05	U WASHER; 8MM SPLIT	2	1-3036
C INTAKE TUBE	1	KIT27358TK	M HOSE CLAMP #56	1	08620	V WASHER; 5/16"ID X 5/8"OD	2	08276
D HOSE; 4MM ID X 12"L	1	08147	N EDGE TRIM 48"	1	102485	W NUT; 6MM NYLOCK	5	07512
E HOSE; 5/8"ID X 7-1/2"L, BLACK	1	084008	O EDGE TRIM 17"	1	102469	X ADAPTER #380	1	21512-1
F BOLT; M4-7, B/H/A	2	07741	P HEAT SHIELD	1	074039	Y HOSE CLAMP #104	1	08697
G BRACKET; TUBE	1	010114	Q BRACKET; LG. "L"	2	07159A	Z AIR FILTER	1	702-466
H WASHER; 1/4"ID X 5/8"OD	11	08275	R BRACKET; SM. "L"	1	070812A	AA SPACER	1	06555
I WASHER; M6 SPLIT LOCK ZINC	1	1-3025	S BOLT; M6 X 1.00" X 20MM HEX	1	07795	AB HOSE CLAMP	2	08411
J BOLT; 6MM-1.00 X 16MM	5	07730						

Full color instructions can be viewed on our web site at Airaid.com. If you need any assistance please call 1-800-498-6951 to speak with a representative in our Customer Service Center before returning the product.

TO START:

1. Turn off the ignition and disconnect the negative battery cable.

NOTE: Disconnecting the negative battery cable erases pre-programmed electronic memories. Write down all memory settings before disconnecting the negative battery cable. Some radios will require an anti-theft code to be entered after the battery is reconnected. The anti-theft code is typically supplied with your owner's manual. In the event your vehicles anti-theft code cannot be recovered, contact an authorized dealership to obtain your vehicles anti-theft code.



2. Disconnect the mass air sensor and unclip the mass air sensor wiring harness from the factory air filter housing.



3. Remove the bolts that secure the vacuum switch to the back of the intake plenum, remove the three bolts that secure the intake plenum to the engine.



4. Disconnect the fuel pressure regulator vacuum line from the regulator and the crank case vent line from the valve cover.



5. Release the upper air filter housing clips, loosen the hose clamp securing the intake hose to the throttle body, lift the intake system and unclip the wires secured to the intake system then remove the system from the vehicle.



6. Remove the factory air filter from the lower housing and then remove the 3 bolts that secure the housing to the inner fender and remove the housing from the vehicle.

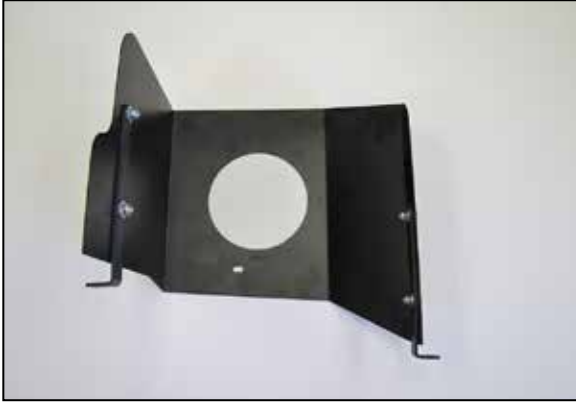
NOTE: AIRAID recommends that customers do not discard factory air intake.

Continued...

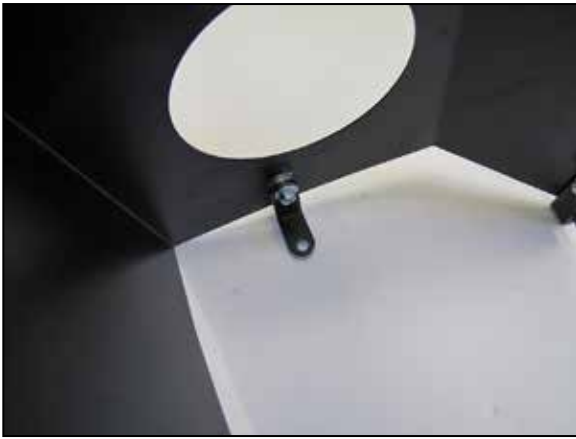


7. Remove the nut shown from the ABS mounting bracket.

NOTE: This nut will be reused in a later step



8. Install both mounting brackets (07159A) onto the heatshield as shown using the provided hardware.



9. Install the remaining bracket (070812A) onto the heat shield using the provided hardware.



10. Install the provided edge trim onto the heat shield as shown.



11. Remove the mass air sensor from the factory housing and then install it into the AIRAID® intake tube and secure with the provided hardware.



12. Remove two of the bolts shown that secure the cam cover, install the bolts through the provided tube bracket (010114) and then install onto the cam cover and secure.



13. Install the provided coupler onto the throttle body and secure with the provided hose clamp.



14. Install the heat shield onto the inner fender and secure with the hardware provided and the factory nut removed in step #7.



15. Install the AIRAID® intake tube into the coupler at the throttle body and align with the mounting bracket. Secure the tube with the provided hose clamp and hardware.



16. Install the provided fuel pressure regulator vent line onto the regulator and onto the AIRAID® intake tube.



17. Install the provided crank case vent line onto the valve cover port and onto the AIRAID® intake tube. Install the vacuum switch onto the AIRAID® intake tube and secure with the provided hardware.



18. Reconnect the mass air sensor electrical connection.



19. Install the filter adapter into the AIRAID® air filter and secure with the provided hose clamp. Install the provided coupler (AIR-KITRDCR05) onto the filter adapter and secure with the provided hose clamp.



20. Install the filter assembly onto the intake tube and secure with the provided hose clamp.



21. Double check your work!
Make sure there is no foreign material in the intake path. Make sure all clamps, hoses, bolts, and screws are tight. Double check the hood clearance!
Reconnect the negative battery cable!

Continued...

Thank you for purchasing the Airaid Intake System. Contact Airaid @ (800) 498-6951 8:00 AM - 5:00 PM MST weekdays for questions regarding fit or instructions that are not clear to you. Your Airaid Intake System was carefully inspected and packaged. Check that no parts are missing, or were damaged during shipping. If any parts are missing, contact Airaid. The air filter element is protected from direct exposure to water and debris; care should be taken not to drive through deep water.

WATER INGESTION IS THE DRIVERS RESPONSIBILITY! The air filter is reusable and should be cleaned periodically.

FILTER IDENTIFICATION

702-466 Airaid SynthaMax Dry Media - Black

For your Oiled media filter we offer the
Airaid Tune Up Kit!



P/N 790-551 Aerosol Spray
P/N 790-550 Squeeze Spray



NOT LEGAL FOR SALE OR USE ON ANY POLLUTION CONTROLLED MOTOR VEHICLE IN CALIFORNIA OR STATES ADOPTING CALIFORNIA EMISSION PROCEDURES.

See Airaid.com for CARB status on each part for a specific vehicle



Synthamax Air Filters **do not** require oil. Service air filter as needed by cleaning with common non-petroleum all-purpose household cleaner and water. Simple Green®, Formula 409® or equivalent works great. Apply cleaner to outside of air filter and allow to soak. Then flush filter clean from the inside out with a garden hose and repeat steps if necessary. Do not apply high pressure water or air to clean filter. Allow filter to air dry and reinstall.