



# Installation Instructions

For Part Numbers:

202-361 702-462 SynthaMax Dry Media Filter - Black

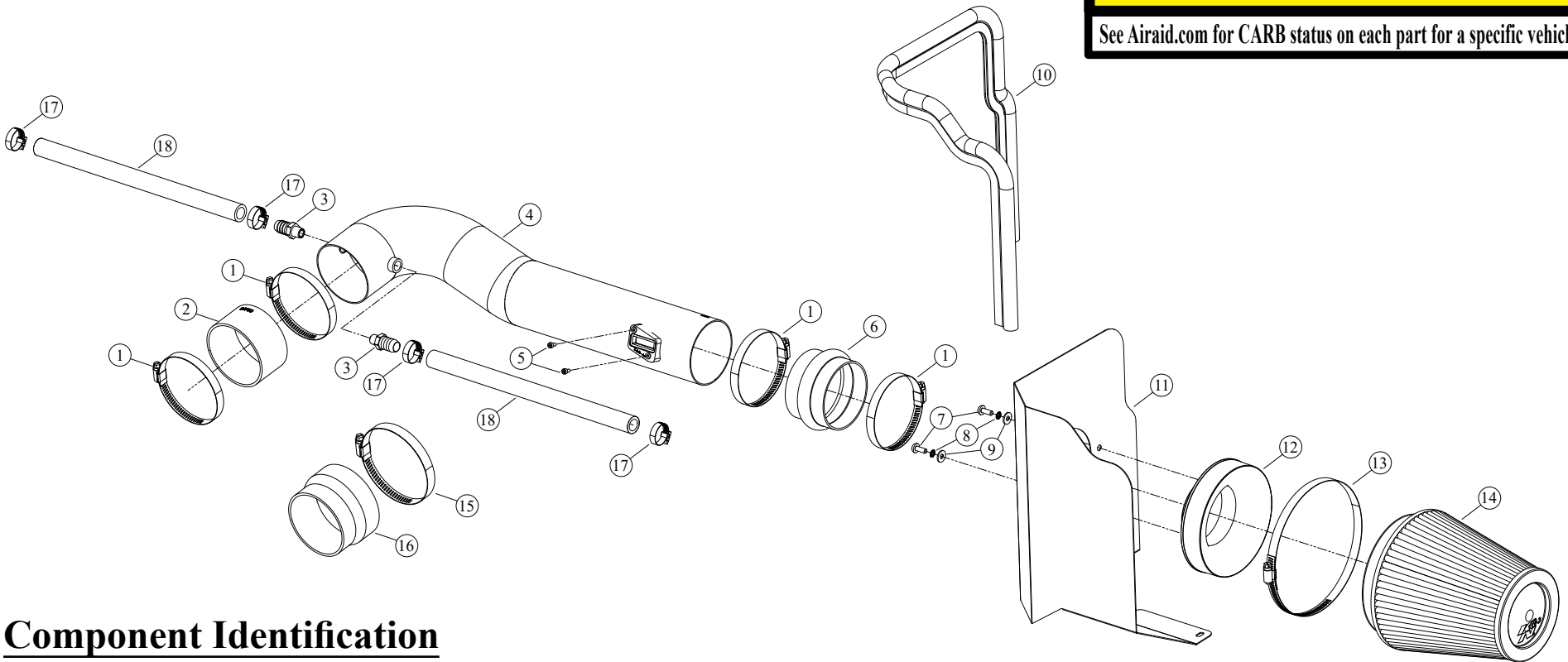
2014-18 Silverado 1500 / Sierra 1500

2015-18 Tahoe / Suburban / Yukon / Escalade ESV

V8-5.3L / 6.2L

**NOT LEGAL FOR SALE OR USE ON ANY POLLUTION CONTROLLED MOTOR VEHICLE IN CALIFORNIA OR STATES ADOPTING CALIFORNIA EMISSION PROCEDURES.**

See Airaid.com for CARB status on each part for a specific vehicle



## Component Identification

Description	Qty.	Part #	Description	Qty.	Part #	Description	Qty.	Part #
1 Hose Clamp #56	4	08620	7 Bolt; M6 X 1.00 X 16MM, SS	2	07730	13 Hose Clamp #104	1	08697
2 Hose; 3-1/2" ID X 2"L Reinforced	1	08698	8 Washer; M6 Split Lock Zinc	2	1-3025	14 Air Filter	1	702-462
3 Vent; STRT, 5/8 Barbed 1/4 NPT	2	08911-1	9 Washer; 6MM, Flat, SS	2	08269	15 Hose Clamp	1	08645
4 Intake Tube	1	KIT27610TK	10 Edge Trim (44")	1	102486	16 Hose	1	08497
5 Bolt; M4-0.07 8 MM, A/H, Cap	2	07733	11 Heat Shield	1	073155-1	17 Hose Clamp	4	08411
6 Hose; 3-1/2" ID X 2-1/2" L Hump	1	08699	12 Adapter; Universal, 6" Filter 3.5"	1	21512-1	18 Hose; 5/8" ID X 14" L	2	084083

Full color instructions can be viewed on our web site at [Airaid.com](http://Airaid.com). If you need any assistance please call 1-800-498-6951 to speak with a representative in our Customer Service Center before returning the product.

### TO START:

1. Turn off the ignition and disconnect the negative battery cable.

**NOTE: Disconnecting the negative battery cable erases pre-programmed electronic memories. Write down all memory settings before disconnecting the negative battery cable. Some radios will require an anti-theft code to be entered after the battery is reconnected. The anti-theft code is typically supplied with your owner's manual. In the event your vehicles anti-theft code cannot be recovered, contact an authorized dealership to obtain your vehicles anti-theft code.**



2. Disconnect the mass air sensor electrical connector.



3. Disconnect the two crank case vent tubes from the intake plenum.



4. Loosen the two hose clamps securing the intake plenum to the factory air box and to the throttle body.



5. Remove the intake plenum from the vehicle.



6. Pull up the air box to release it from the mounting grommets and then remove the factory air box from the vehicle.

**NOTE: It will be necessary to unhook the mass air sensor wiring harness from the air box as it is removed.**

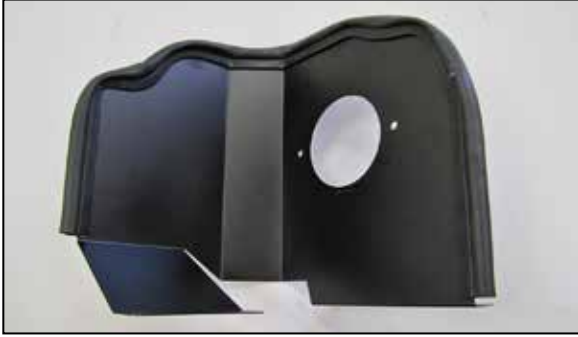
**NOTE: AIRAID recommends that customers do not discard factory air intake.**



7. Remove the four bolts securing the air box mounting tray and then remove the tray from the vehicle.

**NOTE: Three of the bolts will be reused in a latter step.**

## Continued...



8. Install the provided edge trim onto the heat shield as shown.

**NOTE: Some trimming of the edge trim will be necessary.**



9. Install the heat shield assembly and secure to the air box mounting plate location using the three factory bolts from step #7.



10. Install the filter adapter into the AIRAID air filter and secure with the provided hose clamp.



11. Install the filter assembly into the heat shield filter top first, then rotate the filter and pass the adapter through the hole in the heat shield. Secure the filter adapter to the heat shield using the provided hardware.



12. Remove the two factory crank case vent tubes from the vehicle.



13. Install the coupling hose (08698 for 5.3L, 08497 for 6.2L) to the throttle body and secure with the provided hose clamp.



14. Install the coupling hose (08699) to the filter adapter and secure with the provided hose clamp.



15. Remove the mass air sensor from the factory air box.



16. Install the mass air sensor into the AIRAID intake tube and secure with the provided hardware.



17. Install the two provided crank case vent fittings into the AIRAID intake tube as shown.



18. Install the AIRAID intake tube into the hose at the filter adapter and then into the hose at the throttle body, adjust the tube for best fit and then secure with the provided hose clamps.



19. Connect the provided crank case vent hoses to the ports on the valve covers and then connect the open ends to the fittings installed into the AIRAID intake tube.



20. Reconnect the mass air sensor electrical connection.



**21. Double check your work!**

Make sure there is no foreign material in the intake path. Make sure all clamps, hoses, bolts, and screws are tight. Double check the hood clearance!

**Reconnect the negative battery cable!**

Thank you for purchasing the Airaid Intake System. Contact Airaid @ (800) 498-6951 8:00 AM - 5:00 PM MST weekdays for questions regarding fit or instructions that are not clear to you. Your Airaid Intake System was carefully inspected and packaged. Check that no parts are missing, or were damaged during shipping. If any parts are missing, contact Airaid. The air filter element is protected from direct exposure to water and debris; care should be taken not to drive through deep water.

**WATER INGESTION IS THE DRIVERS RESPONSIBILITY!** The air filter is reusable and should be cleaned periodically.

### FILTER IDENTIFICATION 702-462 Airaid Synthamax Dry Media - Black

For your Oiled media filter we offer the  
Airaid Tune Up Kit!



P/N 790-551 Aerosol Spray  
P/N 790-550 Squeeze Spray



**NOT LEGAL FOR SALE OR USE ON ANY POLLUTION CONTROLLED MOTOR VEHICLE IN CALIFORNIA OR STATES ADOPTING CALIFORNIA EMISSION PROCEDURES.**

See [Airaid.com](http://Airaid.com) for CARB status on each part for a specific vehicle

*SynthaMax*

Synthamax Air Filters **do not** require oil. Service air filter as needed by cleaning with common non-petroleum all-purpose household cleaner and water. Simple Green®, Formula 409® or equivalent works great. Apply cleaner to outside of air filter and allow to soak. Then flush filter clean from the inside out with a garden hose and repeat steps if necessary. Do not apply high pressure water or air to clean filter. Allow filter to air dry and reinstall.