

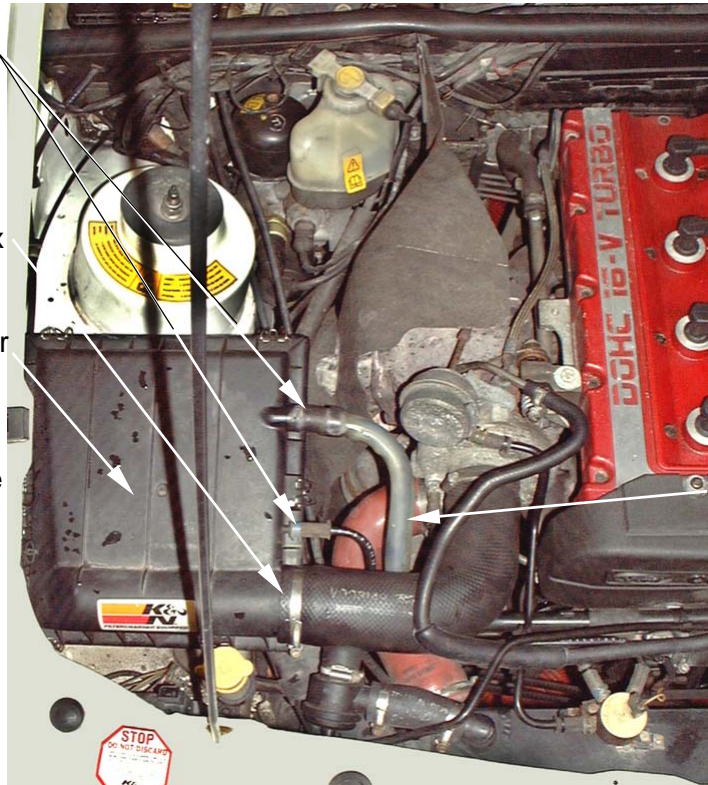
PLEASE READ THE INSTRUCTIONS CAREFULLY BEFORE FITTING THE KIT.



Your car and the engine bay should look like the ones in these pictures, if not then talk to your kit supplier. Should you still have a problem, call K&N customer services. Tel: 01925-636950. Fax: 01925-243111.

Photo A

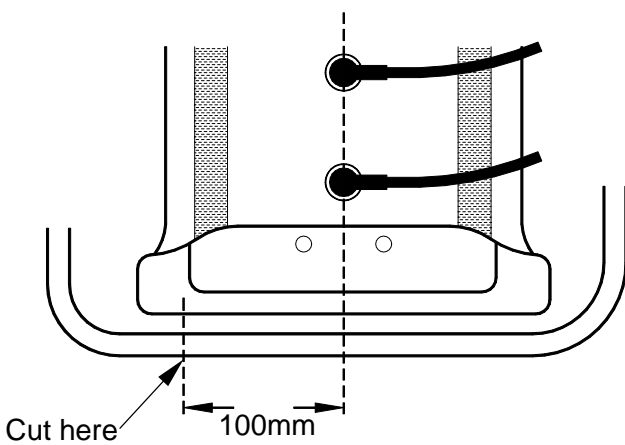
1. Unclip and remove the 2 hoses (breather hose and APC valve hose) from the air box lid.
2. Unclip and remove the intake hose from the air box lid.
3. Unclip and remove the air box lid and air filter.
4. Remove the air box base securing nut from inside the inner wing, (It may be necessary to remove the inner arch liner taking all of the necessary safety precautions). Remove the air box base and square plastic intake pipe / scoop.



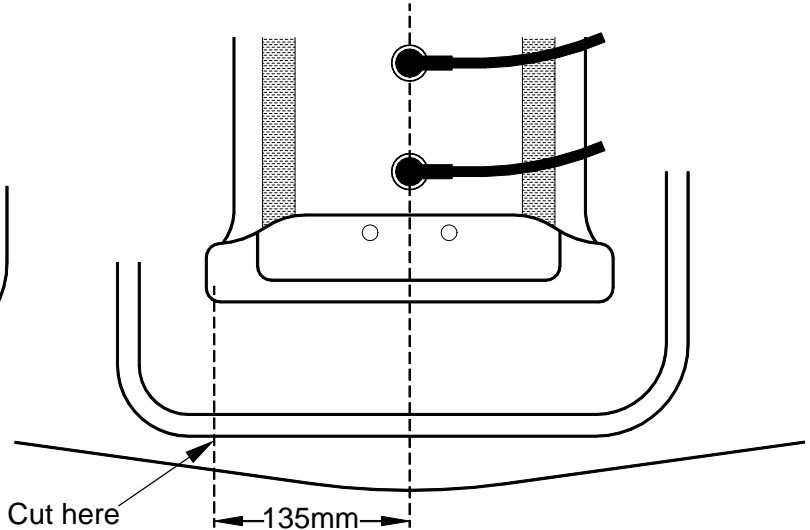
5. It is necessary to remove a section of the plastic breather pipe (as shown in drawing B). To return the car to standard the pipe can be joined with a small section of rubber hose.

Drawing B

2 Wheel Drive



4 Wheel Drive

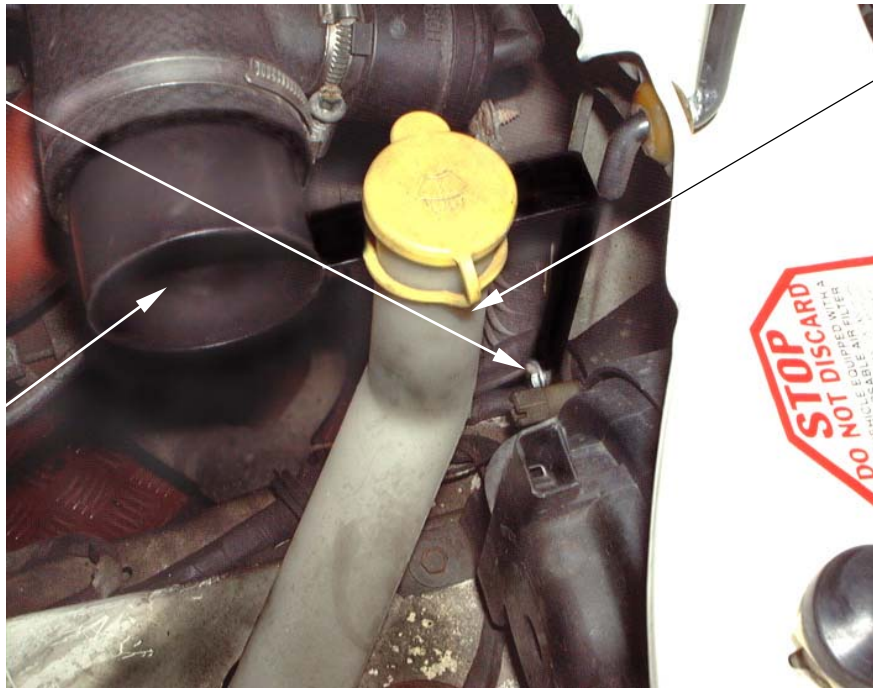


Cut the plastic breather pipe as shown above, taking all of the necessary safety precautions. Fit the breather hose onto the breather pipe and feed the hose to where the new filter will fit.

1. Remove the screw securing the earth wires to the front panel behind the headlight. Fit the long section of the new mounting bracket to this point using the new screw, spacer and original washers.

2. Insert the studded tube into the original intake hose.

3. Attach the studded tube to the mounting bracket using the nylock nut and washer supplied. Tighten the hose clip on the intake hose.



4. Using a long plastic tie supplied pull the washer bottle neck towards the slam panel and attach through the small hole inside the panel.

Photo D

1. Fit the filter onto the metal tube up to the step in the filter base. Do not push in beyond the step as this will affect air flow. Tighten the clip until the filter just turns, rotate the filter until the K&N logo is straight then give the clip one full turn (360 degrees) **no more. Do not overtighten the clip.**

2. Attach the supplied short rubber hose to the APC valve plastic tube and secure with the mini clip supplied. Insert the small hose into the small hole in the base of the filter.



3. Insert the end of the new breather hose into the large hole in the base of the filter.

4. Carefully lengthen the flexi cold air hose to approx. 51cm / 20". Pierce / drill a 3mm hole in the end of the hose feed the hose under the slam panel towards the front grille. Secure the top end of the hose to the washer bottle neck using a long plastic tie.



Feed the flexi cold air hose to the front grille and secure to the grille using a medium plastic tie supplied.

Tuning.

CAT. Cars. No adjustments are required.

An increase in fuel may be required if further engine modifications are to be carried out.

Filter maintenance.

Under normal conditions clean and reoil the filter at approx. 40,000 miles / 65,000 Km.

Use only K&N cleaner and oil and follow the instructions carefully.

K&N filters are pre-oiled ready to fit.

The advantage's of K&N's cold air intake system.

Cooler air being denser, will show positive improvements in power over filter systems that draw hot air from the engine bay.

This Kit Should Contain:

- 1 x Air Filter.
- 1 x Metal Tube.
- 1 x Rubber Breather Hose.
- 1 x Cold Air Hose Assembly.
- 1 x Instruction Sheet.
- 1 x Instruction Pack:-
 - 1 x K&N Window Sticker.
 - 1 x Million Mile Sticker.
 - 1 x Million Mile Warranty.
 - 1 x Leaflet.
- 1 x Fixing Kit containing:#
 - 1 x Bracket.
 - 1 x 6mm x 80mm Tube.
 - 1 x Rubber Hose + Restrictor.
 - 1 x #44 Hose Clip.
 - 1 x #4 Hose Clip.
 - 1 x M6 Nylock Nut.
 - 1 x M6 x 25mm Screw.
 - 1 x Flat washer.
 - 2 x 6mm Spring Washers.
 - 1 x Spacer.
 - 2 x Long Plastic Ties.
 - 1 x Medium Plastic Tie.

FITTING YOUR 57i KIT

If you are not fitting the kit **it is essential** that the person fitting the kit (eg. Mechanic) **carefully follows these particular instructions** even if they have fitted K&N kits before. This will save you both time and money. Kits fitted incorrectly may show a loss in performance, e.g. the positioning of the essential cold air hose, (flexi expandable and rubber hoses are used).

A final check under the bonnet, by yourself with the instructions, would seem sensible.

Note! On some Turbo cars there can be an increase in noise levels on deceleration once the airbox has been removed. This is normal.

