



Equipped with AEM® Dryflow™ Filter
No Oil Required!

INSTALLATION INSTRUCTIONS

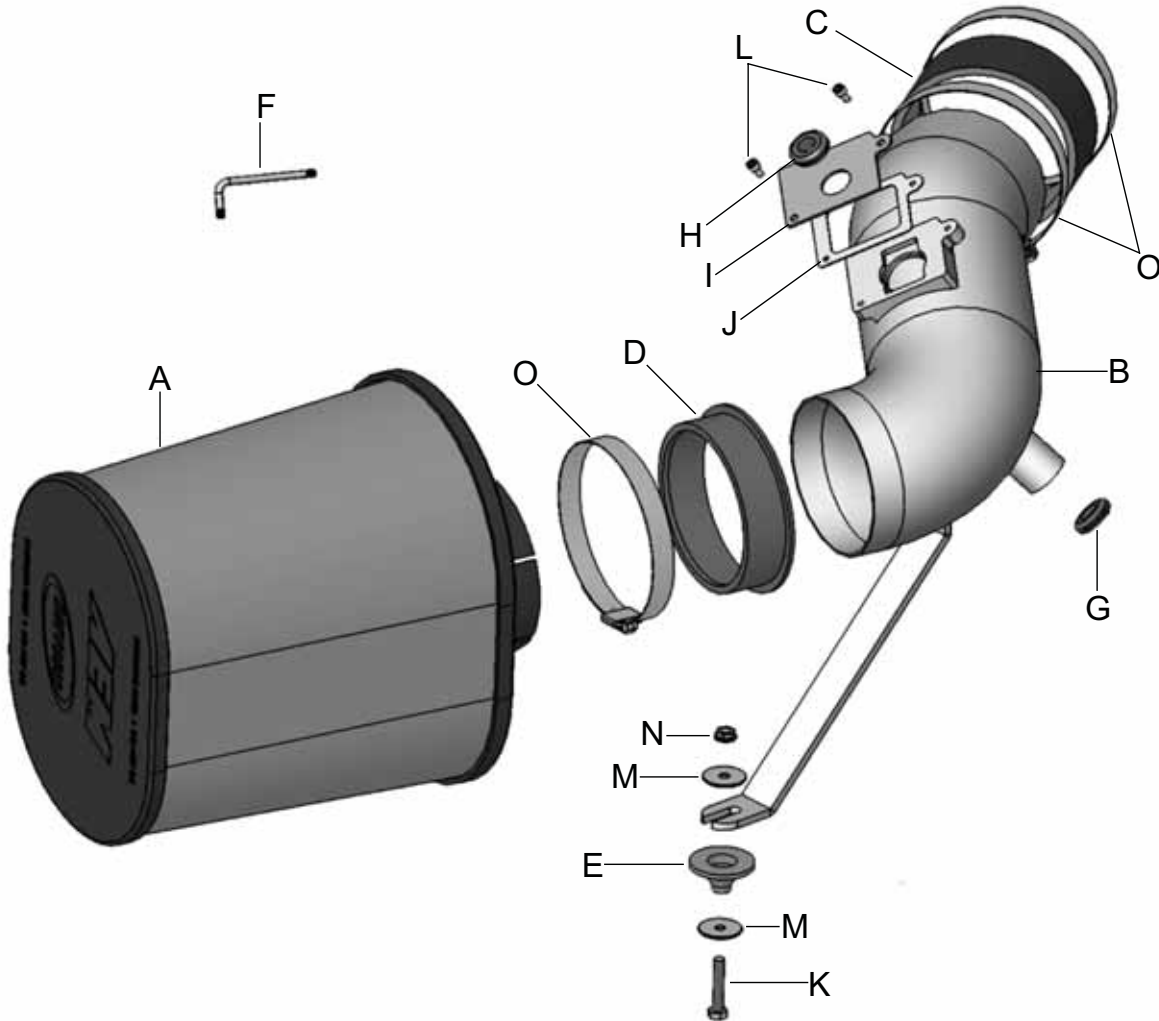
PART NUMBER: 21-9113

2004-2006	FORD F250 Harley Davidson Super Duty V8-6.0L DSL	C.A.R.B. E.O. D-392-29
2004-2006	FORD F250 Super Duty V8-6.0L DSL	C.A.R.B. E.O. D-392-29
2004-2006	FORD F350 Harley Davidson Super Duty V8-6.0L DSL	C.A.R.B. E.O. D-392-29
2004-2006	FORD F350 Super Duty V8-6.0L DSL	C.A.R.B. E.O. D-392-29
2004-2006	FORD F450 Super Duty V8-6.0L DSL	C.A.R.B. E.O. D-392-29
2004-2006	FORD F550 Super Duty V8-6.0L DSL	C.A.R.B. E.O. D-392-29
2004-2005	FORD Excursion V8-6.0L DSL	SEE *NOTE

* NOTE: Legal in California only for racing vehicles which may never be used upon a highway

PARTS LIST:

Description		Qty.	Part Number
A	Element Parts Kit 4.00x 9" DSL Oval Dry	1	21-2259D
B	Inlet Pipe, 03-06 Ford 6.0L	1	2-81131
C	Hose, Silicone 4.00x2" Black	1	5-402
D	Insert, Diesel A/F Assy 4"	1	5-2259
E	Stand, Aluminum	1	2-670
F	L-Key, T20	1	1-124
G	Grommet, 1/2" 3/32	1	784646
H	Grommet, 7/16"	1	784632
I	Block Off Plate, 2-688 MAF	1	2-783
J	Gasket, Block Off Plate	1	2-7831
K	Bolt, Hex M6-1 X 35mm	1	1-2002
L	Bolt, Socket M4-.7 X 8mm	2	1-2105
M	Washer, 6mm Soft Mount	2	559999
N	Nut, M6 Hex Serrated	1	444.460.04
O	1/2" Bnd. Hose Clamp, 3.56"-4.50"	3	9464



Read and understand these instructions **BEFORE** attempting to install this product. Failure to follow installation instructions and not using the provided hardware may damage the intake tube, throttle body and engine.

1. Preparing Vehicle

- a. Make sure vehicle is parked on level surface.
- b. Set parking brake.
- c. If engine has run in the past two hours, let it cool down.
- d. Disconnect negative battery terminal.
- e. Do not discard stock components after removal of the factory system.

2. Removal of stock system



a. Stock intake system. Unplug the wiring harness from the inlet air temperature (IAT) sensor or mass air flow (MAF) sensor. All vehicles have one or the other.



b. Loosen the hose clamps securing the flexible inlet hose between the turbo inlet and the air filter housing. Remove the hose.



c. Unplug the wiring harness from the air filter restriction gauge. Remove the gauge from the rear of the air filter housing.



d. Unclasp the retaining clips holding the back side of the air filter housing together. Remove the rear side of the air filter housing by lifting up and pulling it out of the engine bay.



e. Pull up and remove the air filter housing from the engine bay.



f. Remove the factory IAT sensor or MAF sensor from the stock air filter housing.

3. Installation of AEM® intake system.

- a. When installing the intake system, do not completely tighten the hose clamps or mounting hardware until instructed to do so.
- b. Before installing intake pipe be sure to check for packaging material in the intake pipe.



c. Factory air box system removed.



d. On vehicles with a MAF sensor, install the sensor into the intake pipe using the two factory bolts removed in step 2f). If your vehicle is equipped with an IAT, skip to step 3e).



e. On vehicles with a IAT sensor, install provided adapter plate onto the pipe using the two supplied bolts. Install the supplied grommet into the plate.



f. Install the IAT sensor into the grommet on the adapter plate as shown.



g. Install the silicone coupler onto the turbo inlet and secure using two #64 hose clamps.



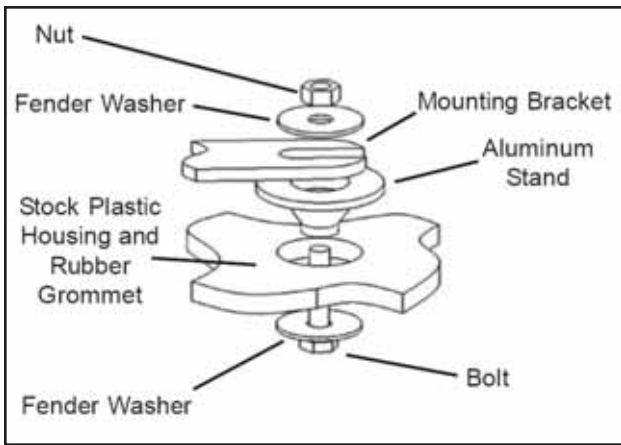
h. Install the billet aluminum stand into the rear rubber mount where the factory air box was removed.



i. Install the pipe into the coupler on the turbo inlet. Align the pipe mounting bracket with the previously installed aluminum stand. Use a #64 hose clamp to secure.



j. Install the supplied M6 washer and bolt through the bottom of the aluminum stand. Secure the bolt using another M6 washer and serrated nut as shown in step 3k.



k. Diagram for mounting bracket. Once aligned properly, fully tighten the nut.



l. Install the supplied air filter adapter by stretching it over the filter end of the pipe.



m. Install the Dryflow™ filter onto the filter adapter.



n. Rotate the filter until it is not touching any part of the vehicle and secure it using the remaining #64 clamp.



o. Plug the MAF or IAT sensor into the wiring harness. Rotate the oil dipstick for clearance.



p. Plug the air filter restriction gauge into the wiring harness. Be sure the wiring harness is not touching any hot components under the hood.



Factory air box system installed



AEM® intake system installed

4. Reassemble Vehicle

- a. Position the inlet pipes for the best fitment. Be sure that the pipes or any other components do not contact any part of the vehicle. Tighten the rubber mount, all bolts, and hose clamps.
- b. Check for proper hood clearance. Re-adjust pipes if necessary and re-tighten them.
- c. Inspect the engine bay for any loose tools and check that all fasteners that were moved or removed are properly tightened.
- d. Reconnect negative battery terminals and start engine. Let the vehicle idle for 3 minutes. Perform a final inspection before driving the vehicle.

5. CARB Sticker Placement

- a. The C.A.R.B. exemption sticker, (attached), must be visible under the hood so that an emissions inspector can see it when the vehicle is required to be tested for emissions. California requires testing every two years, other states may vary.

6. Service and Maintenance

- a. It is recommended that you service your AEM® Dryflow™ filter every 20,000 miles for optimum performance. Use AEM Dryflow cleaning kit part # 21-110.
- b. Use aluminum polish to clean your polished AEM® intake tube.
- c. Use window cleaner to clean your powder coated AEM® intake tube. **(NOTE: DO NOT USE aluminum polish on powder coated AEM intake tubes).**

For technical inquiries
e-mail us at
sales@aemintakes.com
or
call us at
800.992.3000

AEM Air Intake System Warranty Policy

AEM® warrants that its intake systems will last for the life of your vehicle. AEM will not honor this warranty due to mechanical damage (i.e. improper installation or fitment), damage from misuse, accidents or flying debris. AEM will not warrant its powder coating if the finish has been cleaned with a hydrocarbon-based solvent. The powder coating should only be cleaned with a mild soap and water solution. Proof of purchase of both the vehicle and AEM intake system is required for redemption of a warranty claim.

This warranty is limited to the repair or replacement of the AEM part. In no event shall this warranty exceed the original purchase price of the AEM part nor shall AEM be responsible for special, incidental or consequential damages or cost incurred due to the failure of this product. Warranty claims to AEM must be transportation prepaid and accompanied with dated proof of purchase. This warranty applies only to the original purchaser of product and is nontransferable. Improper use or installation, use for racing, accident, abuse, unauthorized repairs or alterations voids this warranty. AEM disclaims any liability for consequential damages due to breach of any written or implied warranty on all products manufactured by AEM. Warranty returns will only be accepted by AEM when accompanied by a valid Return Merchandise Authorization (RMA) number. Credit for defective products will be issued pending inspection. Product must be received by AEM within 30 days of the date RMA is issued.

If you have a warranty issue, please call (800) 992-3000 and our customer service department will assist you. A proof of purchase is required for all AEM warranty claims.