



INSTALLATION INSTRUCTIONS

63-3062

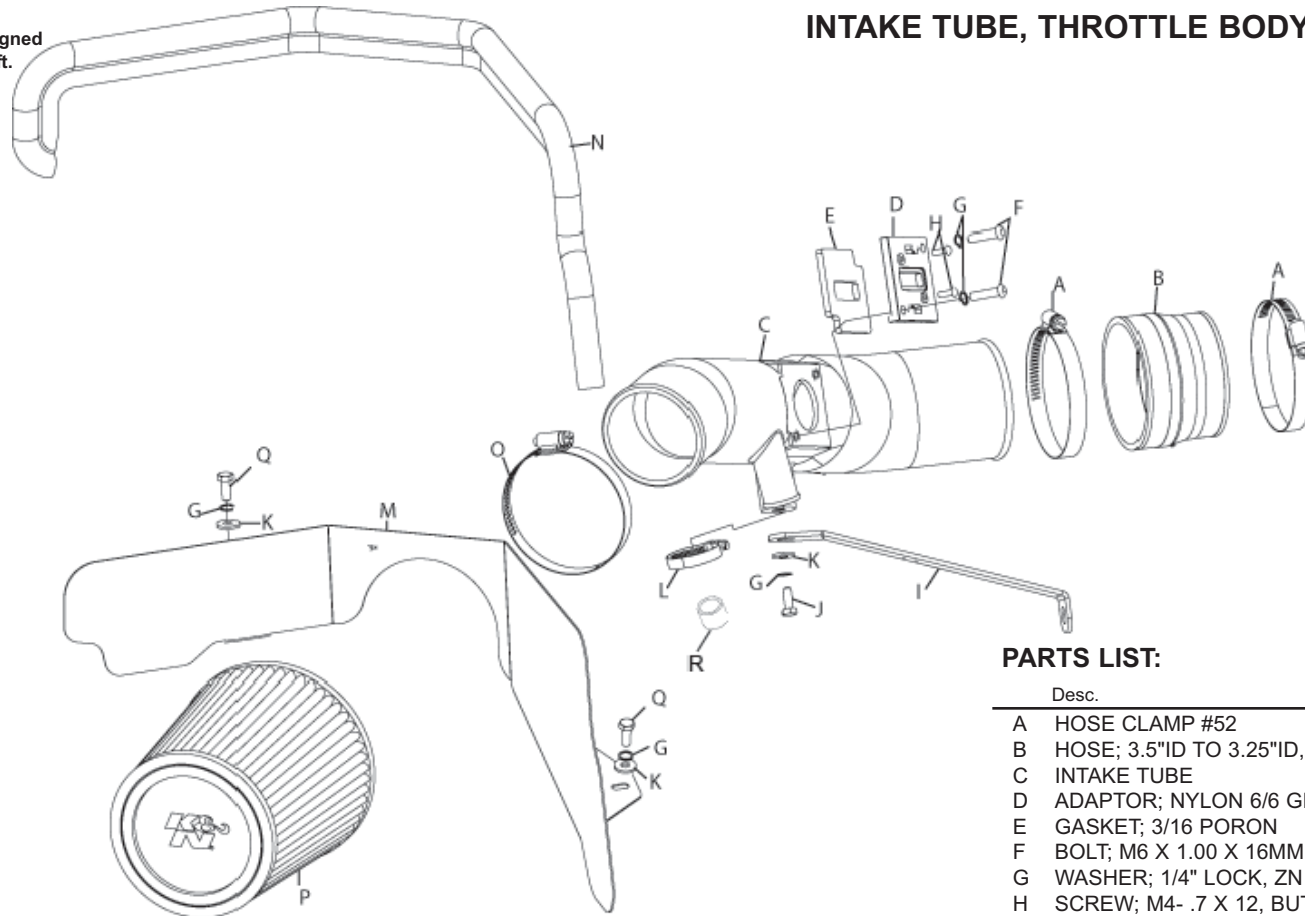
CHEVROLET / GMC / ISUZU

2007-09 TRAILBLAZER / ENVOY / ASCENDER
L6-4.2L

NOTE: This kit was not designed to fit vehicles with a body lift.

TOOLS NEEDED:

- Ratchet
- Extension
- 10mm Socket
- Flat Blade Screwdriver
- Phillips Screwdriver
- Pliers
- 4mm Allen Wrench
- 2.5mm Allen Wrench



NOTE: FAILURE TO FOLLOW INSTALLATION INSTRUCTIONS AND NOT USING THE PROVIDED HARDWARE MAY DAMAGE THE INTAKE TUBE, THROTTLE BODY AND ENGINE.

PARTS LIST:

Desc.	QTY.	Part #
A HOSE CLAMP #52	2	08610
B HOSE; 3.5"ID TO 3.25"ID, TRPD; SILICONE	1	08051
C INTAKE TUBE	1	087203
D ADAPTOR; NYLON 6/6 GF, BLACK	1	21515
E GASKET; 3/16 PORON	1	09069
F BOLT; M6 X 1.00 X 16MM , BUTTONHEAD, SS	2	07730
G WASHER; 1/4" LOCK, ZN	5	08198
H SCREW; M4- .7 X 12, BUTTON HEAD SS	2	07726
I BRACKET; 57-3062, MILD STL. FB/PC	1	26632
J BOLT; M6-1.00 X 16MM HEX	1	07703
K WASHER; 1/4"ID X 5/8"OD - SAE	3	08275
L HOSE CLAMP #16 MINI	1	08427
M HEAT SHIELD	1	07468
N EDGE TRIM (32")	1	102493
O HOSE CLAMP #48	1	08601
P AIR FILTER	1	RU-4730
Q BOLT; M6X1.00X20MM HEXHEAD, SS	2	07795
R PLUG	1	08246

TO START:

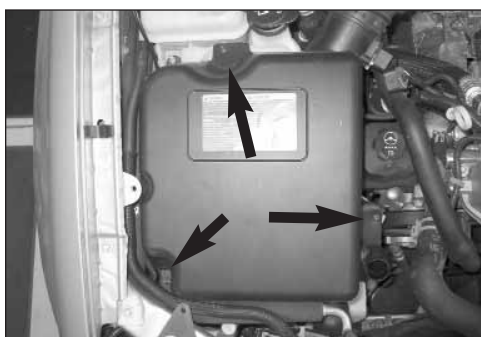
1. Turn the ignition OFF and disconnect the vehicle's negative battery cable.



2. Disconnect the mass air sensor electrical connection.



3. Depress the locking tabs and disconnect the air injection hose.



4. Loosen the three screws which secure the upper air box.



5. Remove the upper air box cover as shown.



6. Remove the fresh air supply duct.



7. Loosen the hose clamp at the intake plenum and then remove the complete intake system.

NOTE: K&N recommends that you do not discard your factory air intake.



8. Remove the two screws which secure the mass air sensor. Then remove the mass air sensor as shown.



9. Install the provided edge trim onto the heat shield as shown.

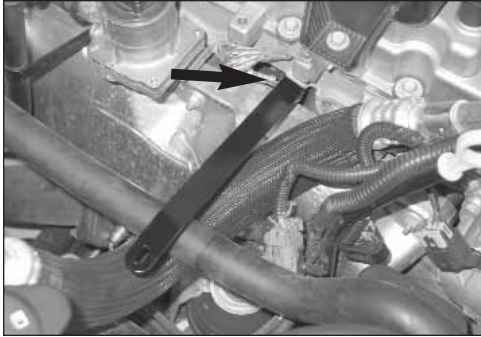


10. Install the heat shield onto the coolant reservoir with the hardware provided.



11. Remove the engine ground strap bolt shown.

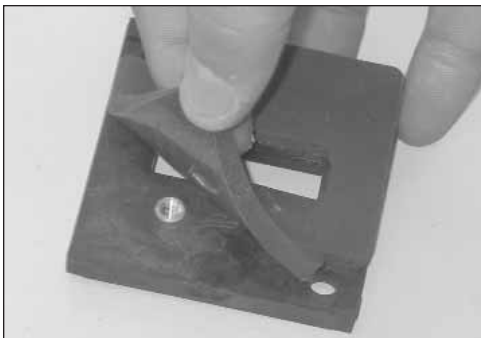
NOTE: This bolt will be reused.



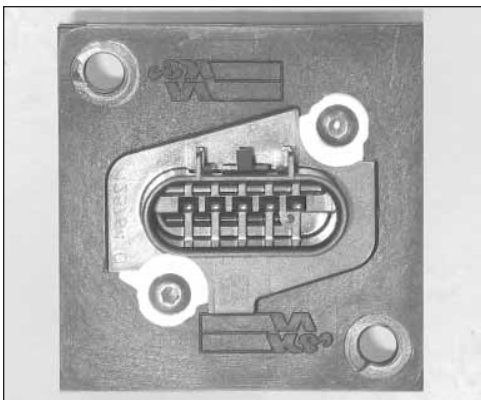
12. Install the tube mounting bracket (26632) onto the engine at the ground cable location and secure with the bolt removed in step #11.



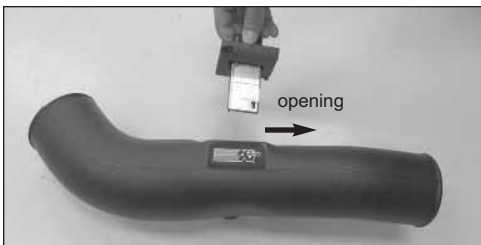
13. Install the provided silicone hose (08051) to the throttle body and secure it with the provided hose clamp.



14. Install the adapter gasket onto the adapter plate as shown.



15. Install the mass air sensor into the mass air adapter and secure with the provided hardware.



16. Install the mass air sensor assembly into the K&N intake tube and secure with the provided hardware.

NOTE: The opening of the sensor is to be pointed to the filter end of the tube.



17. Install the K&N intake tube assembly into the silicone hose at the throttle body and align it with the mounting bracket installed in step #12. Then secure the tube with the provided hose clamp and hardware.



18. Mark the air injection hose at the base of the top 90deg bend as shown.



19. Cut the air injection hose at the location marked in step #18. Then install the hose onto the K&N intake tube and secure with the provided hose clamp.

Note: Vehicles that are not equipped with Air Injection; use the supplied plug (#08246) to cap the tube vent.



20. Install the K&N air filter onto the K&N intake tube and secure with the provided hose clamp.



21. Reconnect the mass air sensor electrical connection as shown.



22. Reconnect the vehicle's negative battery cable. Double check to make sure everything is tight and properly positioned before starting the vehicle.

23. It will be necessary for all K&N Performance Intake Kit's to be checked periodically for realignment, clearance and tightening of all connections. Failure to follow the above instructions or proper maintenance may void warranty.

ROAD TESTING:

1. Start the engine with the transmission in neutral or park, and the parking brake engaged. Listen for air leaks or odd noises. For air leaks secure hoses and connections. For odd noises, find cause and repair before proceeding. This kit will function identically to the factory system except for being louder and much more responsive.

2. Test drive the vehicle. Listen for odd noises or rattles and fix as necessary.

3. If road test is fine, you can now enjoy the added power and performance from your kit.

4. K&N suggests checking the air filter element periodically for excessive dirt build-up. When the element becomes covered in dirt (or once a year), service it according to the instructions on the Recharger service kit, part number 99-5050 or 99-5000.