

# K&N AIRCHARGER®

## INSTALLATION INSTRUCTIONS

### 63-1016

#### Honda

1996-98 Civic EX Models All  
1996-99 Civic HX Models Manual Trans Only  
L4-1.6L VTEC & VTEC-E

#### TOOLS NEEDED:

Flat blade screwdriver	Long socket extension
Phillips screwdriver	10mm socket
Pair of pliers	4mm allen wrench
Ratchet	10mm wrench

#### TO START:

1. Turn the ignition OFF and disconnect the vehicle's negative battery cable.



2. Loosen the hose clamp on the intake tube at the throttle body.



3. Loosen and remove the two bolts that secure the airbox.



4. Disconnect the air temperature sensor electrical connection.



5. Remove the crankcase vent tube from the stock intake tube.

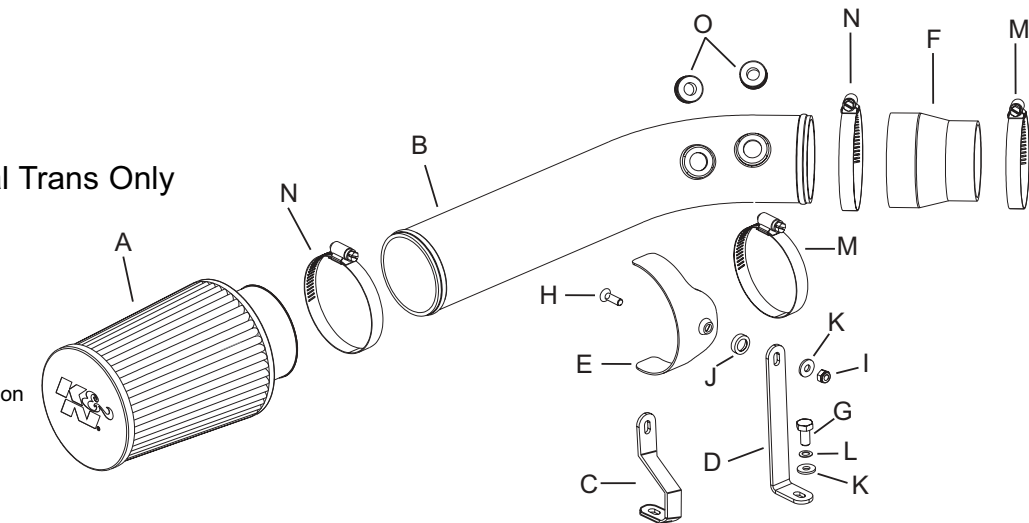


6. Remove the complete air intake assembly as shown. **NOTE:** Pull firmly upward to release the airbox from grommet support located in front of airbox.



7. Loosen and remove the bolt that secures the wiring harness bracket to its support bracket.

**NOTE:** This bolt will not be reused.



#### PARTS LIST:

A.	Filtercharger element	1
B.	Intake tube	1
C.	Angled "L" bracket	1
D.	"L" bracket	1
E.	Saddle	1
F.	Silicone adapter	1
G.	Hex bolt	1
H.	Flat head allen bolt	1
I.	Nylock nut	1
J.	Conical washer	1
K.	Flat washer	2
L.	Wave washer	1
M.	#44 hose clamp	2
N.	#48 hose clamp	2
O.	Grommet	2



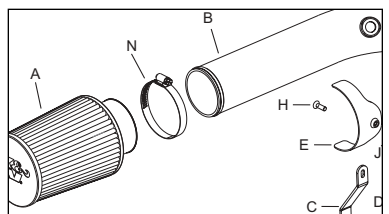
8. Assemble the saddle to the bracket as shown. **NOTE:** On models with manual trans. use the "L" bracket and on EX models with auto trans. use the angled "L" bracket.



9. Install the saddle/bracket assembly between the wiring harness bracket and support bracket, then secure with the hardware provided.



10. Install the grommets supplied into the 2 small holes in the K&N intake tube.



11. Install the silicone adapter onto the K&N intake tube.



12. Install the intake tube onto the throttle body and secure it with the provided hose clamp.



13. Secure the K&N intake tube to the saddle/bracket with the hose clamp provided.



14. Remove the air temperature sensor from the stock intake tube.



15. Install the air temperature into the grommet on the K&N intake tube.



16. Insert the crankcase vent tube into the second grommet on the K&N intake tube.



17. Reconnect the air temperature sensor electrical connection.



18. Install the Filtercharger element onto the intake tube and secure it with the provided hose clamp.

19. Re-connect the vehicle's negative battery cable. Double check to make sure everything is tight and properly positioned before starting the vehicle.

20. It will be necessary for all Airchargers to be checked periodically for realignment, clearance and tightening of all connections. Failure to follow the above instructions or proper maintenance may void warranty.

#### ROAD TESTING:

1. Start the engine with the transmission in neutral or park, and the parking brake engaged. Listen for air leaks or odd noises. For air leaks secure hoses and connections. For odd noises, find cause and repair before proceeding. This kit will function identically to the factory system except for being louder and much more responsive.

2. Test drive the vehicle. Listen for odd noises or rattles and fix as necessary.

3. If road test is fine, you can now enjoy the added power and performance from your kit.

4. K&N suggests checking the Filtercharger element periodically for excessive dirt build-up. When the element becomes covered in dirt (or once a year), service it with a recharger kit, part number 99-5000 or 99-5050.

