

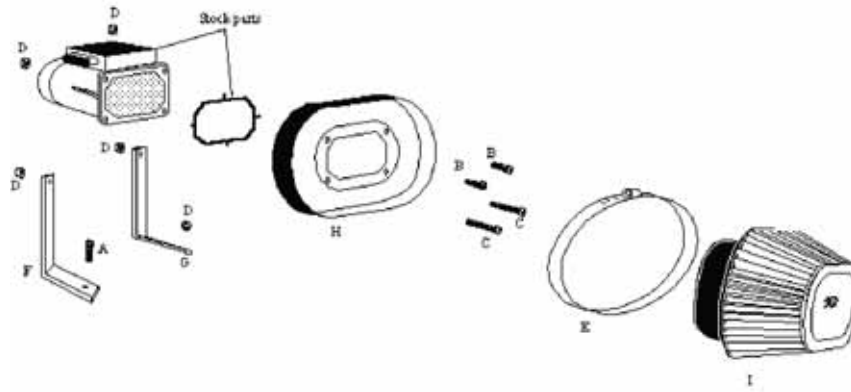


# FUEL INJECTION PERFORMANCE KIT FIPK

## INSTALLATION INSTRUCTIONS

### 57-1500-1

**Mitsubishi**  
1991-1999 3000GT  
**Dodge**  
1991-1996 Stealth  
V6-3.0L Standard & Twin Turbo

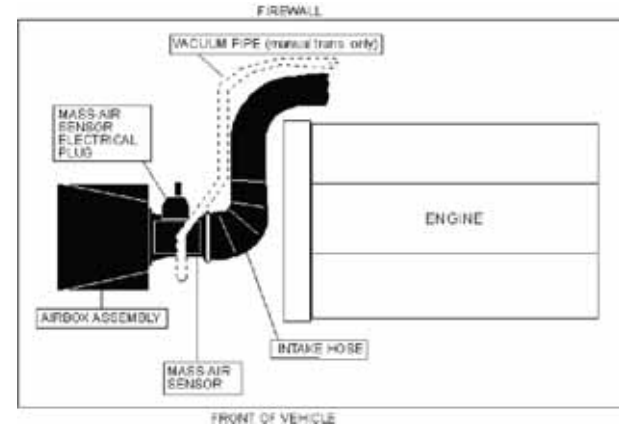


#### PARTS LIST:

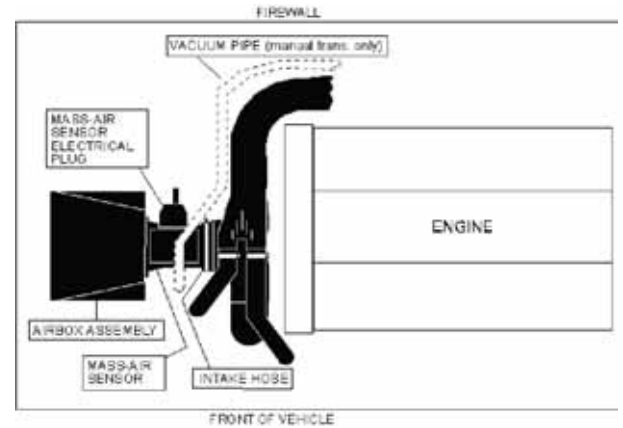
Description	Qty.	P/N
A 6mm-1.00 x 15mm allen bolt	1	07818
B 6mm-1.00 x 20mm allen bolt	2	07852
C 6mm-1.00 x 25mm allen bolt	2	07859
D 6mm-1.00 nylock nut	5	07553
E size 104 hose clamp	1	08697
F rear "L" bracket	1	07891
G front "L" bracket	1	07882
H die-cast filter adapter	1	08846
I air filter	1	RF-1001

#### INSTALLATION

- 1) Disconnect the vehicle's negative battery cable.
- 2) Loosen the hose clamp where the rubber intake hose connects to the mass-air sensor.
- 3) On some vehicles with a manual transmission; you may need to unhook the vacuum pipe from the rubber hose junction. (see fig. 1)
- 4) Carefully remove the electrical plug connection from the mass-air sensor.
- 5) Unclip the airbox lid. Remove the airbox lid and the mass-air sensor from the car as a unit.
- 6) Unbolt the airbox assembly from the body. It is held in place with two bolts and one nut. Be careful not to drop any parts.
- 7) There is a small metal bushing in the grommet with the stud, carefully remove this with needle-nose pliers.
- 8) Remove the airbox with the snorkel tube attached. It is a tight fit, so be patient and work it out carefully.
- 9) Remove the mass-air sensor from the airbox lid, which is held by four nuts.
- 10) Install the filter adapter to the mass-air sensor, re-using the stock rubber gasket. (see fig. 2)
- 11) Install the two "L" brackets as shown. Be certain that the brackets are positioned correctly, there is a slight angularity difference between the two. Leave all fasteners slightly loose at this time.
- 12) Install the mass-air sensor into the vehicle. Work the front bracket over the stud, as the sensor slides into the intake hose.
- 13) Install a nylock nut on the stud and a 15mm long allen bolt in the rear bracket. Gently tighten all fasteners (6) at this time.
- 14) Tighten the hose clamp on the intake hose.
- 15) Plug the electrical connector into the mass-air sensor.
- 16) Re-connect the vacuum pipe if the vehicle has a manual transmission. (see fig. 1)
- 17) Install K&N air filter onto adapter, do not over-tighten hose clamp!
- 18) Re-connect battery cable. Double check to make sure everything is tight and properly positioned before starting vehicle.
- 19) The C.A.R.B. exemption sticker, (attached) must be placed in a visible area under the hood, so that an emissions inspector can see it when the vehicle is required to be tested for emissions. California requires testing every two years, other states may vary.
- 20) It will be necessary for all FIPK's to be checked periodically for realignment, clearance and tightening of all connections. Failure to follow the above instructions or proper maintenance may void warranty.



**NON-TURBO  
ENGINE COMPARTMENT**



**TWIN-TURBO  
ENGINE COMPARTMENT**

#### ROAD TESTING

Start the engine with the transmission in neutral or park, and the emergency brake on. Listen for any air leaks or odd noises. If there are air leaks, make sure the hose connections are secure. If there are any odd noises, check for the cause and repair before proceeding. The K&N Performance Kit will function identically to the factory air filter with the exception of being slightly louder than stock and much more responsive. If all preliminary checks are okay, then a road test is necessary. Listen carefully for rattling or other odd noises and fix as necessary. If the road test is fine, you can enjoy driving as normal with the added response and power. We suggest that the air filter be checked periodically for dirt. This is now very easy due to the open element configuration. If the filter material is overly dirty, service it according to the instructions that are in the Recharger service kit, part number 99-5050 or 99-5000. If you have any questions or problems, inquire at your nearest K&N dealer, or direct to K&N Engineering at (909) 684-9762.

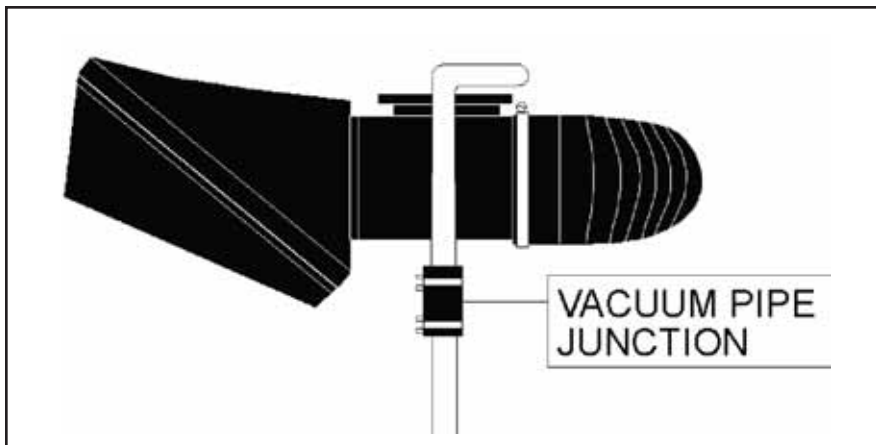


fig. 1

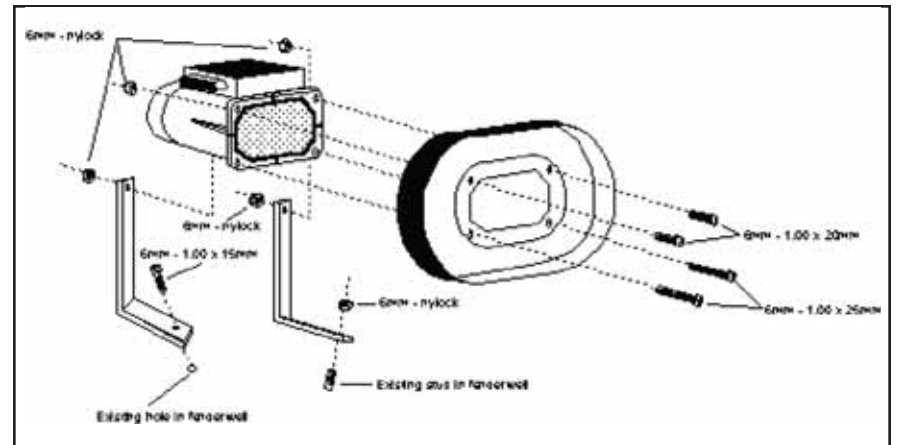


fig. 2

**50-STATE STREET LEGAL  
K&N CARB EXEMPT K&N**

\*FREE K&N DECAL To register your warranty, please see us online at [knfilters.com/register](http://knfilters.com/register). FREE K&N DECAL\*